

Articulated Buoy

ACCURATE CHANNEL MARKING IN DEEP WATERS

Articulated (elastic beacon) buoys are designed to provide exact marking of channels, especially in deeper water where piled beacons are not an option. Tideland Signal and its associate, FLOATEX, have a range of custom designs to meet applications of 15m to 50m water depth. Articulated buoys can also provide higher focal plane heights than conventional buoys. Reduced maintenance is a popular feature of this design of buoy.

Features

- **STABILITY** - An important feature of an articulated buoy. The subsea float provides a vertical uplift and is not subject to varying wave and tide conditions.
- **TOUGH POLYETHYLENE** - Forms the subsea float sections for the buoy. Size and volume will depend upon the depth of water and design of buoy.
- **STRUCTURAL TUBE** - Steel forms the main structure of the buoy which can be supplied in a variety of coatings such as galvanised or painted.
- **HEAVY CONCRETE SINKERS** - Used to anchor the buoy to the sea bed. In normal use the buoy is fixed with a shackle. For extremely sandy conditions a patented elastic rubber is used to reduce wear.
- **DAY MARKS** - May be provided and can be manufactured from polyethylene or painted steel. The safe working area is accessed by a ladder.
- **MAINS AC POWER** - May be supplied to this design of buoy making it an ideal platform for meteorological and hydrological equipment or even CCTV when solar power is not viable.



FLOATEX

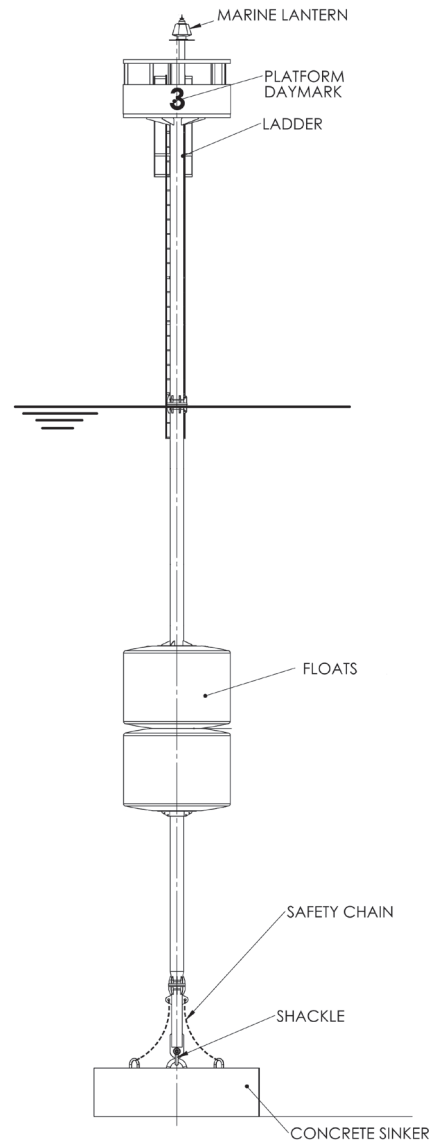
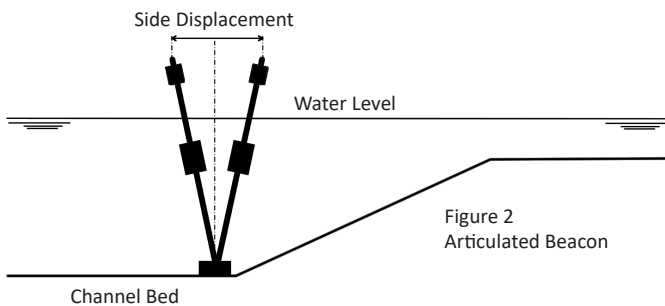
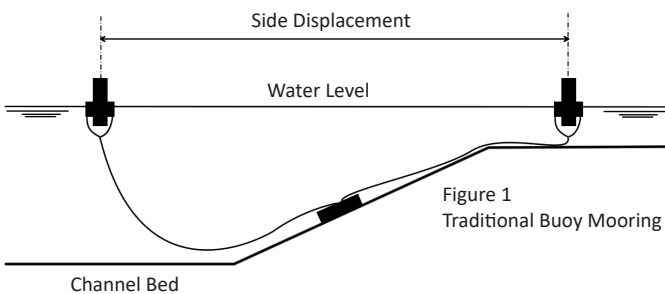
TIDELAND
a xylem brand

Articulated Buoy ACCURATE CHANNEL MARKING IN DEEP WATERS

Technical Details

Height	Custom Designed for Location
Float Material	Polyethylene
Float Filling Material	Expanded Polyurethane
Tube	Galvanized or Painted Steel
Sinker Connection	Shackle or Elastic Joint
Tower and Daymark	Custom Design

NOTE: Specifications are subject to change.



Tideland Signal Corporation
(USA)
us-sales@tidelandsignal.com

Tideland Signal Ltd
(Canada)
canada-sales@tidelandsignal.com

Tideland Signal Ltd
(Burgess Hill, UK)
emea-sales@tidelandsignal.com

Tideland Signal
(The Netherlands)
emea-sales@tidelandsignal.com

Tideland Signal Ltd
(Dubai, UAE)
emea-sales@tidelandsignal.com

Tideland Signal Pte Ltd
(Singapore)
asia-sales@tidelandsignal.com

Tideland Signal Pte Ltd
(Tianjin, China)
asia-sales@tidelandsignal.com

www.tidelandsignal.com