

# Nova-65

## LED MARINE LANTERN

**The Nova-65 features unique and proprietary optics which provide a 360° beam at 3°, 5°, 10°, 20° or 30° vertical divergence.**

Utilizing a highly efficient compact lens, the Nova-65 is a one of a kind, small, lightweight marine beacon. The 10° divergence lens is ideal for fixed or floating aids to navigation while the 20° and 30° lenses provide exceptional performance on buoys. The 5° lens can be used to meet specific needs that require a much longer range while still using a minimal amount of power. The 20° and 30° options are ideal for use on tension-leg and spar platforms.

In 2012, the Nova-65 HI was specifically designed to provide over 10NM range with a vertical divergence of 3°. It is available in white only.

Two options of housing are available for general marine use (GMU): polycarbonate and a ruggedized metal version. For NEC Class 1 Division 2, housing is only available in polycarbonate. For ATEX/IECEX (Category 3), housing is available in ruggedized metal only and with a 10° lens. Both housing options are designed to withstand the harsh marine environment including: ice buildup in extremes of latitude and the high temperatures experienced along the equatorial plane.

IP-66 and IP-68 make Nova-65 the choice of professionals.

### Characteristics

- User selectable power and flash code settings for multiple visual range performance
- Full monitor and control capability
- SignalView™ program to set user options
- Approved by USCG for class A, B and C offshore structures
- A constant current power source provides maximum lifetime of LEDs
- A constant current power source provides maximum lifetime of LEDs
- Temperature compensated LED drive circuits ensure uniform brightness with ambient temperature change

### Options

- GPS Synchronisation
- 5°, 10°, 20° or 30° vertical divergence lens
- 3° vertical divergence lens (white only)

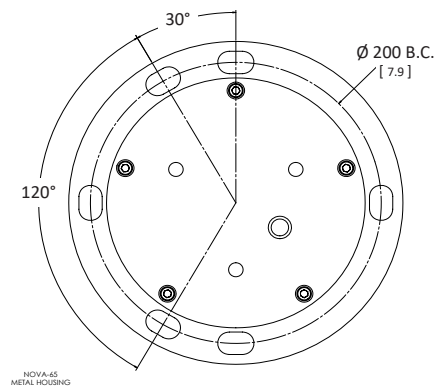
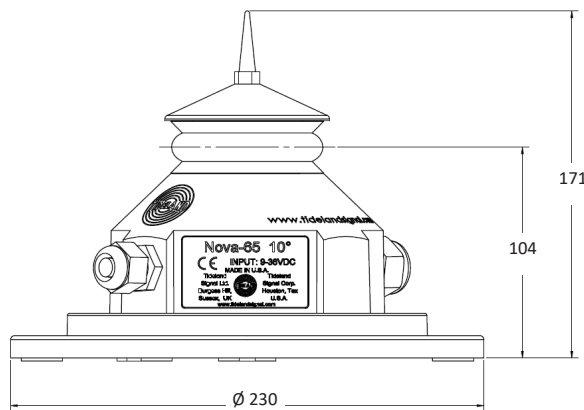


# Nova-65

## Technical Details

<b>Input Voltage - General Marine Use (GMU)</b>	9 to 36VDC (optional 85 to 264VAC)
<b>Input Voltage - Hazardous Area</b>	9.5 to 32VDC
<b>Power Consumption - Nova-65</b>	Variable up to 10W
<b>Power Setting</b>	Field selectable
<b>Colours Available</b>	Red, green, yellow, white, blue
<b>Operating Temperature for GMU &amp; NEC Class 1 Division 2</b>	-40° C to +70° C
<b>Operating Temperature for ATEX/IECEX (Category 3)</b>	-40° C to +60° C
<b>Storage Temperature</b>	-40° C to +70° C
<b>Vertical Divergences - GMU &amp; NEC Class 1 Division 2</b>	5°, 10°, 20°, and 30° degrees, all colors 3° degrees, white only
<b>Vertical Divergence - ATEX/IECEX (Category 3)</b>	10° degrees, all colors
<b>Quiescent Current - Light Only</b>	<2mA
<b>Quiescent Current - With GPS</b>	<3mA
<b>Flash Codes</b>	Up to 256 codes, field selectable or via communication links
<b>Synchronisation - GMU &amp; NEC Class 1 Division 2</b>	GPS or hard wire options
<b>Synchronisation - ATEX/IECEX (Category 3)</b>	Hard wire only
<b>Monitor and Control</b>	Capable
<b>Visibility</b>	360° horizon (omnidirectional)
<b>Sunswitch Threshold</b>	Adjustable
<b>Physical Measurements</b>	
Base Mounting	230mm (9.1in) maximum diameter
Height	171mm (6.7in)
Weight	Polycarbonate 0.77kg (1.7lbs) Aluminum 1.97kg (4.3lbs)
<b>IP Rating - GMU &amp; NEC Class 1 Division 2</b>	IP66 / IP 68
<b>IP Rating - ATEX/IECEX (Category 3)</b>	IP 66

NOTE: Specifications are subject to change.



Tideland Signal Corporation  
(USA)  
us-sales@tideland.com

Tideland Signal Ltd  
(Canada)  
canada-sales@tideland.com

Tideland Signal Ltd  
(Burgess Hill, UK)  
emea-sales@tideland.com

Tideland Signal  
(The Netherlands)  
emea-sales@tideland.com

Tideland Signal Ltd  
(Dubai, UAE)  
emea-sales@tideland.com

Tideland Signal Pte Ltd  
(Singapore)  
asia-sales@tideland.com

Tideland Signal Pte Ltd  
(Tianjin, China)  
asia-sales@tideland.com

[www.tideland.com](http://www.tideland.com)