

SB-60

SENTINEL® SPAR BUOY

The SB-60 is a low maintenance, cost-effective multipurpose buoy for use in all marine environments.

Features

- **UV-STABILISED POLYETHYLENE** - Rotationally moulded to form a seamless body, 8.0mm thick, able to withstand knocks and/or collision. Through a unique mould design and a controlled process, an increased thickness is formed at major stress points. This rugged material is abrasion resistant and repels marine growth, eliminating costly sandblasting and painting.
- **LONG-TERM STRENGTH** - Equipped with a stainless steel mooring and lifting eye, the buoy is easily handled. The buoy is EPS foam filled to prevent significant water ingress in event of puncture, making it unsinkable. As with all Sentinel® buoys, minor punctures are on-station repairable.
- **MATCHING OR ALTERNATING COLOURS** - The SB-60 buoy is available in all recommended IALA colours, including cardinal and bifurcation markings, with optional IALA-recommended topmarks.
- **LANTERN** - Various lanterns can be fitted to the top for nighttime applications.

OPTIONAL EQUIPMENT

- Optional 10m² radar reflector
- Optional repair kit

OPTIONAL LED MARINE LANTERNS

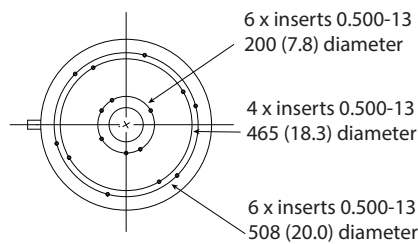
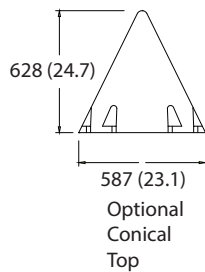
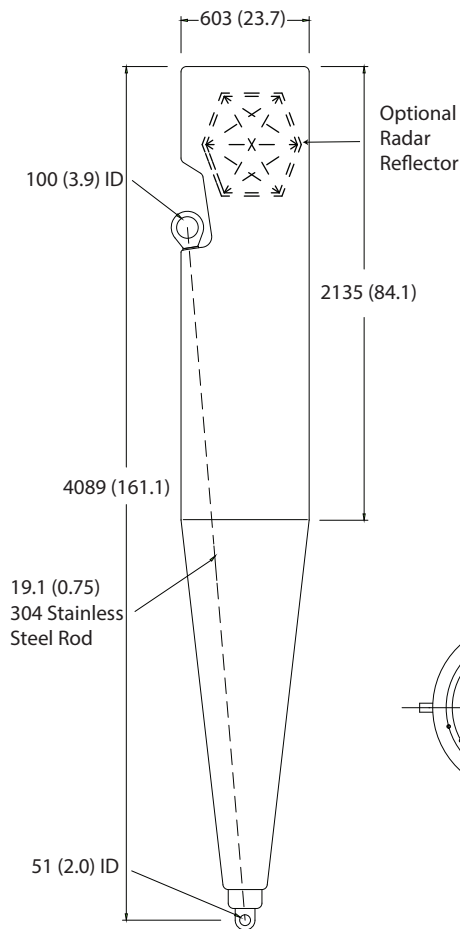
The SB-60 can be equipped with Tideland Signal's Nova-65SC (shown in photo at right), or SolaNOVA-65, which are maintenance-free, self-contained lanterns that utilise LED technology, high performance solar modules and high-grade batteries.



**TIDELAND**
a xylem brand

Technical Details

Diameter	23.7in (603mm)
Foam Filling	2lbs/ft3 (32kg/m3)
Tower Height	119in (3023mm)
Nominal Freeboard	20in (508mm)
Draft	72in (1828mm)
Nominal Focal Plane Height	151in (3842mm)
Optional Extended Focal Plain	177in (4500mm)
Construction	Rotationally moulded polyethylene for float sections, 8.6mm thick and galvanised frame in two sections (hull and superstructure)
Visual Area	38.75ft3 (3.6m3)
Air Weight	210lb 95kg)
Submergence	215lbs/in (38.4kg/cm)
Radar Reflector	10m2 (X-band)
Radar Range, Nominal	3 to 4NM
Colour	As Specified (All IALA colours available)
Maximum Mooring Load	5,163lbs (2,342kg)
Maximum Current	7 Knots



Tideland Signal Corporation
(USA)
us-sales@tidelandsignal.com

Tideland Signal Ltd
(Canada)
canada-sales@tidelandsignal.com

Tideland Signal Ltd
(Burgess Hill, UK)
emea-sales@tidelandsignal.com

Tideland Signal
(The Netherlands)
emea-sales@tidelandsignal.com

Tideland Signal Ltd
(Dubai, UAE)
emea-sales@tidelandsignal.com

Tideland Signal Pte Ltd
(Singapore)
asia-sales@tidelandsignal.com

Tideland Signal Pte Ltd
(Tianjin, China)
asia-sales@tidelandsignal.com