

SolaNOVA-65

6NM SELF -CONTAINED LANTERN

Tideland Signal has combined its proven solar module and battery self-contained package with the rugged and optically superior Nova-65 LED Lantern. This combination provides a low maintenance and longer range signal lantern, called SolaNOVA-65.

The SolaNOVA-65 is capable of ranges in excess of 6NM covering a variety of fixed applications. In addition, four vertical divergence options of 5°, 10°, 20° and 30° make it the ideal lantern for fixed structures or buoy applications. Revolutionary optics/Solar power system greatly increase efficiency making the SolaNOVA-65 suitable for northern and low solar radiation applications.

Characteristics

- User selectable power setting for visual range
- Battery test and charge mode selection without opening the lantern housing (QuickCheck)
- Seasonal shutdown
- Photovoltaic system sized for demanding locations
- SignalView software to program user options
- Temperature compensated LED drive circuits ensure uniform brightness with ambient temperature change
- Availability in all IALA approved colours shown here in IALA approved red
- Optional GPS synchronisation module
- 256 user selectable flash characters
- Full monitor and control capability
- Vertical divergence options of 5°, 10°, 20°, and 30°



**TIDELAND**
a xylem brand

SolaNOVA-65

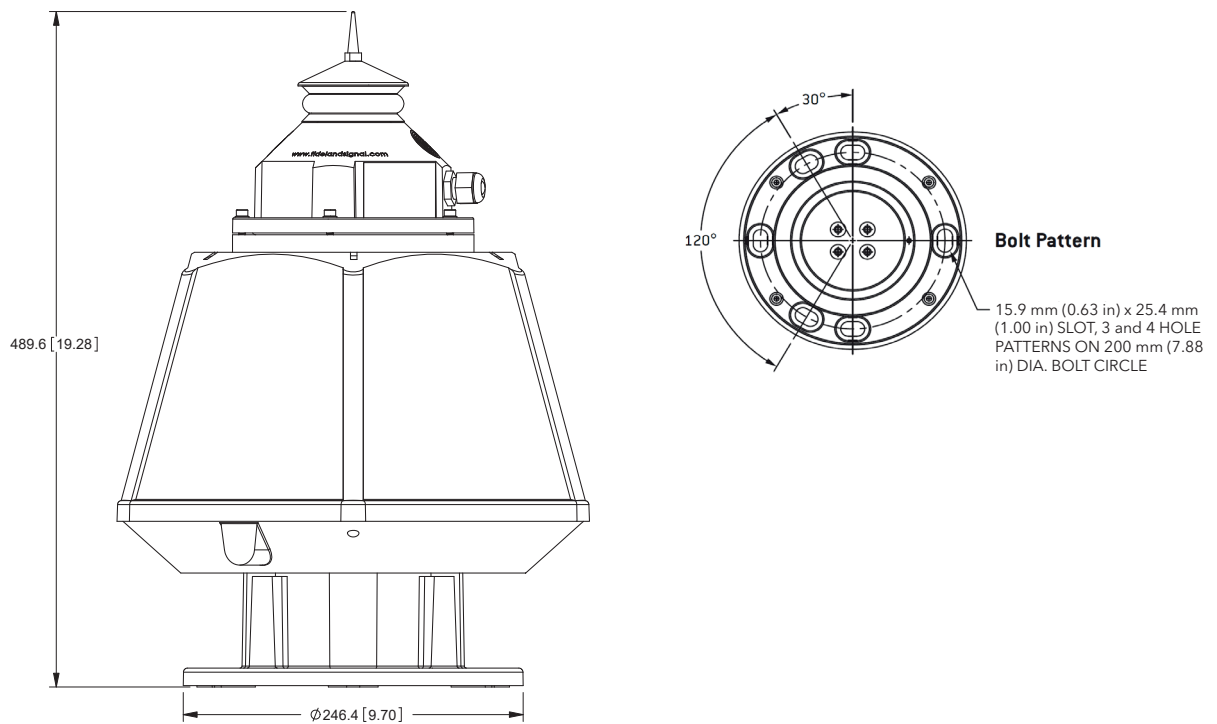
Available for Class I Division 2
Hazardous Locations

Ideal Lantern For Fixed Structures Or Buoy
Applications In Four Vertical Divergence
Options (5°, 10°, 20°, AND 30°)

Technical Details

Power	4.5W at 6V
Colours Available	Red, green, yellow, white (blue upon special request)
Typical Vertical Divergences @ 50% (varies by colour)	
5 Degree	> 4.5°
10 Degree	> 9°
20 Degree	> 19°
30 Degree	> 29°
Visibility	360° horizon (omnidirectional)
Operating Temperature	-40° C to +60° C
Battery Type	Lithium Ion Phosphate (LiO) or Lead Acid
Base and Main Housing	UV resistant polycarbonate
Weight (varies by battery option)	12.8lbs max
IP Rating	IP 67

NOTE: Specifications are subject to change.



Effective Intensity Tables can be found on our website at www.tidelandsignal.com



Tideland Signal Corporation
(USA)
us-sales@tidelandsignal.com

Tideland Signal Ltd
(Canada)
canada-sales@tidelandsignal.com

Tideland Signal Ltd
(Burgess Hill, UK)
emea-sales@tidelandsignal.com

Tideland Signal
(The Netherlands)
emea-sales@tidelandsignal.com

Tideland Signal Ltd
(Dubai, UAE)
emea-sales@tidelandsignal.com

Tideland Signal Pte Ltd
(Singapore)
asia-sales@tidelandsignal.com

Tideland Signal Pte Ltd
(Tianjin, China)
asia-sales@tidelandsignal.com

www.tidelandsignal.com